

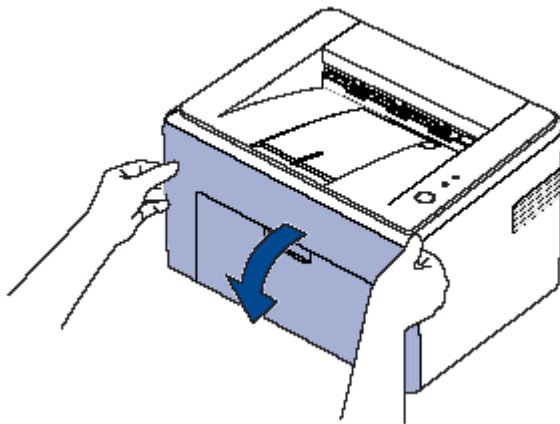
How to change the printer toner

In following conditions printer toner need to be changed

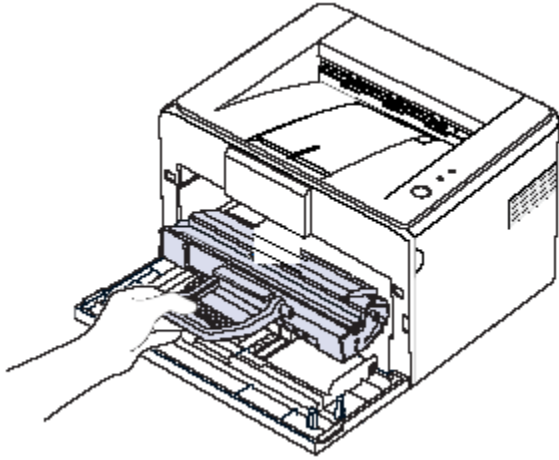
- 1) Printing quality not good:- If the printing is coming to faint the printer toner need to be replaced
- 2) Printer showing error message:- If the orange light is blinking then we need to change the toner.

Following is the procedure to change the toner for Samsung ML1640 printer toner

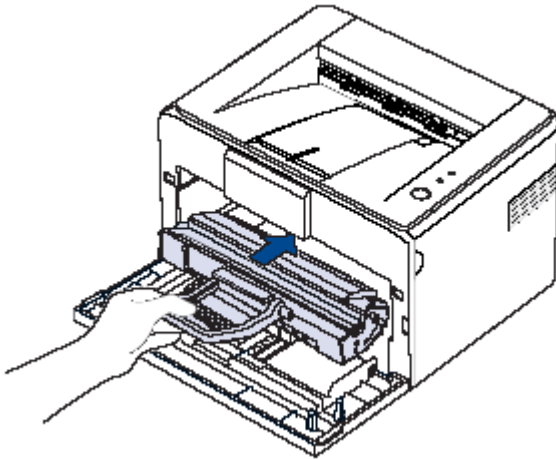
- 1) Turn off the printer.
- 2) Open the front cover of the printer as shown in the figure.



3) Take out the toner old cartridge as shown:



4) Replace the toner with new toner Cartridge



Notice :

This document is created only for illustration purpose. We have taken care of making these documents as error-free as possible. We have tried making these documents as self explanatory possible. Users of this document are advised to use their own judgment in carrying out any operations described. Scrum System P Ltd does not take any responsibility whatsoever for any damage (if any) caused during the operations described here. All registered trademarks are acknowledged.

Image Courtesy: [Http://Samsung.com](http://Samsung.com)